



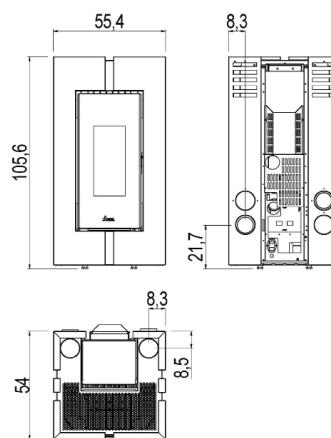




STEEL

-  ANTHRACITE
7014005
EAN 8033123614603
-  WHITE
7014006
EAN 8033123614610
-  RED
7014007
EAN 8033123614627
-  SILVER
7014008
EAN 8033123614634



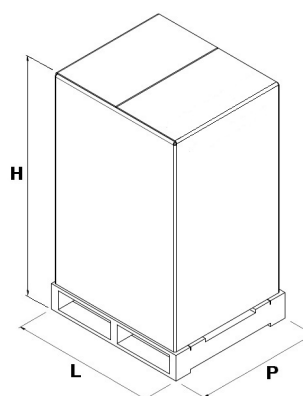
EXTRA

-  Upper and back exhaust
-  Overheating protection
-  Cold hand
-  Connection to the external thermostat
-  Daily weekly programming
-  Remote control
-  Ductible with 1 independent motor
-  Sealed chamber
-  Cast iron burning pot

TECHNICAL DATAS

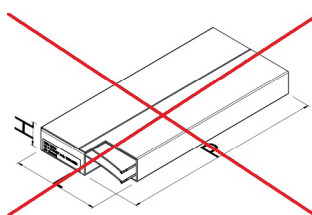
Nominal power	kW	10,5
Reduced power	kW	2,8
Nominal water useful power	kW	-
Reduced water useful power	kW	-
Nominal efficiency	%	87
Reduced efficiency	%	93
Heating volume (min-max)	m ³	67 - 252
Nominal CO at 13% O ₂	%	0,007
Reduced CO at 13% O ₂	%	0,03
Nominal dust content at 13% O ₂	mg/Nm ³	12
Boiler capacity (H ₂ O)	l	-
Hopper capacity	kg	22
Combustible		Pellet ø6
Hourly consumption (min-max)	kg/h	0,60 - 2,40
Autonomy (min-max)	h	36,7 - 9,2
Ignition electrical absorption (max)	W	360
Operating electrical absorption (max)	W	60
Supply and frequency	V - Hz	230 - 50
Chimney flue depression	Pa	11
Exhaust diameter	mm	80
Combustion air inlet diameter	mm	60
Mass of smoke (min-max)	g/sec	3,1 - 6,5
Exhaust fumes temperature (max)	°C	228
Net weight	kg	118
Gross weight	kg	128

PACKAGING AND STOCKING



L (cm)	78
H (cm)	125
P (cm)	68

LINING PACKING



LINING	L (cm)	H (cm)	P (cm)



Art. 15A B-VG 2015



BlmSchV 2015



Regensburg



München



Stuttgart

Aachen